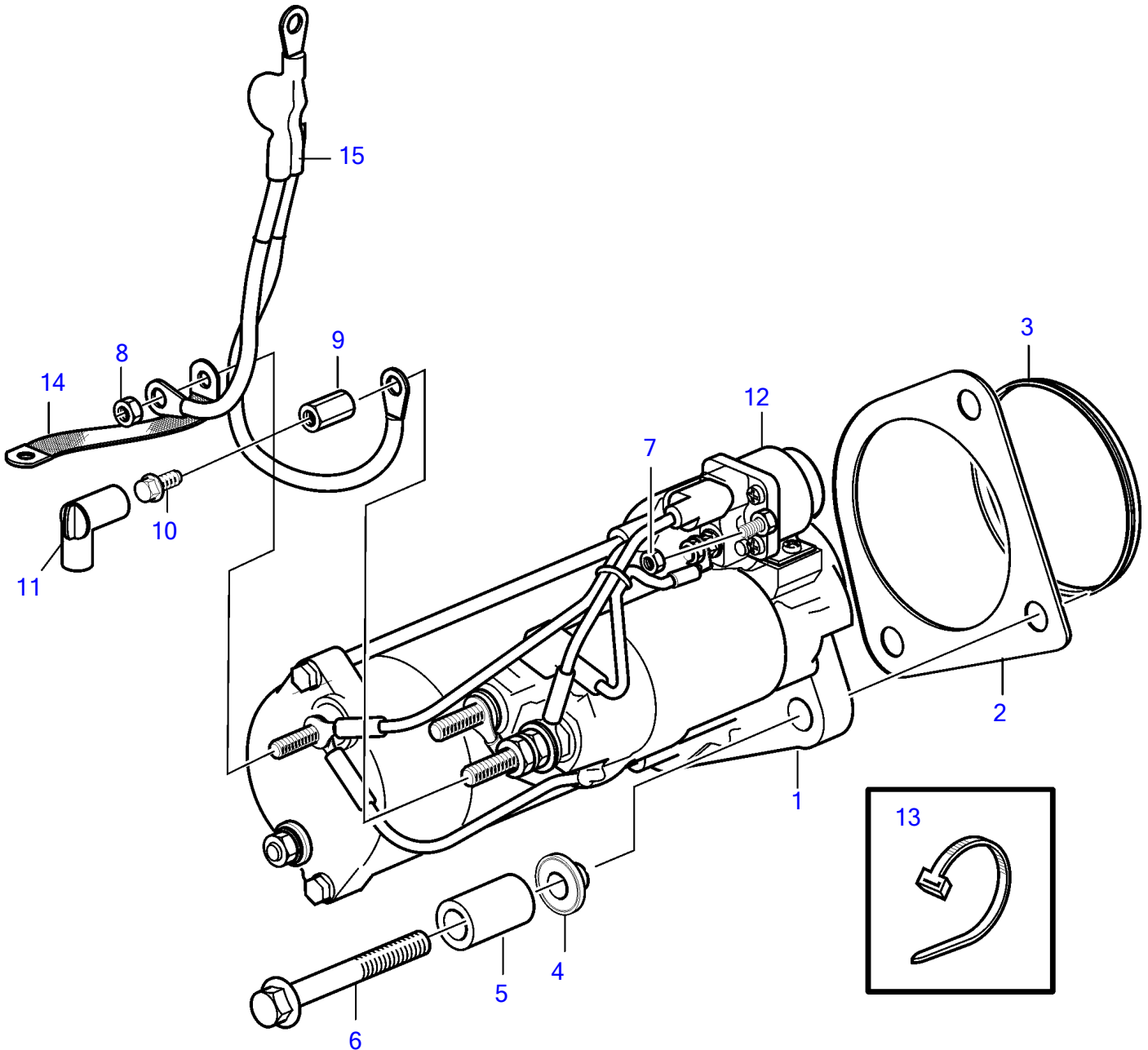


D6-280A-A, D6-280A-B, D6-280A-C, D6-280A-D, D6-280A-E, D6-280I-A, D6-280I-B, D6-280I-C, D6-280I-D, D6-280I-E, D6-310I-A, D6-310A-A, D6-310A-B, D6-310A-C, D6-310A-D, D6-310D-B, D6-310D-C, D6-310D-D, D6-310I-B, D6-310I-C, D6-310I-D, D6-330A-B, D6-330A-C, D6-330A-D, D6-330D-B, D6-330D-C, D6-330D-D, D6-330I-B, D6-330I-C, D6-330I-D, D6-350A-A, D6-350A-B, D6-370A-B, D6-370A-C, D6-370A-D, D6-370D-B, D6-370D-C, D6-370D-D, D6-370I-A, D6-370I-B, D6-370I-C, D6-370I-D, D6-310A-E, D6-310D-E, D6-310I-E, D6-330A-E, D6-330D-E, D6-330I-E, D6-370A-E, D6-370D-E, D6-370I-E, D6-400A-E, D6-435D-A, D6-435D-D, D6-435D-C, D6-435D-E, D6-435I-A, D6-435I-C, D6-435I-D, D6-435I-E



26430

D6-280A-A, D6-280A-B, D6-280A-C, D6-280A-D, D6-280A-E, D6-280I-A, D6-280I-B, D6-280I-C, D6-280I-D, D6-280I-E, D6-310I-A, D6-310A-A, D6-310A-B, D6-310A-C, D6-310A-D, D6-310D-B, D6-310D-C, D6-310D-D, D6-310I-B, D6-310I-C, D6-310I-D, D6-330A-B, D6-330A-C, D6-330A-D, D6-330D-B, D6-330D-C, D6-330D-D, D6-330I-B, D6-330I-C, D6-330I-D, D6-350A-A, D6-350A-B, D6-370A-B, D6-370A-C, D6-370A-D, D6-370D-B, D6-370D-C, D6-370D-D, D6-370I-A, D6-370I-B, D6-370I-C, D6-370I-D, D6-310A-E, D6-310D-E, D6-310I-E, D6-330A-E, D6-330D-E, D6-330I-E, D6-370A-E, D6-370D-E, D6-370I-E, D6-400A-E, D6-435D-A, D6-435D-D, D6-435D-C, D6-435D-E, D6-435I-A, D6-435I-C, D6-435I-D, D6-435I-E

| REF | PART NO. | QTY | DESCRIPTION | NOTES |
|-----|----------|-----|-----------------------------|--|
| 1 | 3803938 | 1 | Starter motor, exch | 12V, Replaced by 3801296 |
| | 3801296 | 1 | Starter motor, exch | 12V, SOLAS |
| | | | • parts not sold separately | |
| | 874674 | 1 | Starter motor | 24V, Replaced by 3801297 |
| | 3801297 | 1 | Starter motor, exch | 24V, SOLAS |
| | | | • parts not sold separately | |
| 2 | 21389274 | 1 | Gasket | |
| 3 | 21380910 | 1 | Gasket | |
| 4 | 21308512 | 3 | Insulating bushing | |
| 5 | 845884 | 3 | Spacer sleeve | |
| 6 | 973246 | 3 | Hexagon screw | |
| 7 | 983714 | 1 | Hexagon nut | |
| 8 | 983715 | 1 | Hexagon nut | negative pole |
| 9 | 857180 | 1 | Spacer nut | positive pole |
| 10 | 946670 | 1 | Flange screw | |
| 11 | 855798 | 1 | Protecting sleeve | |
| 12 | 3818845 | 1 | Starter relay | 12V |
| | 3818856 | 1 | Starter relay | 24V |
| 13 | 948702 | 1 | Cable tie | |
| 14 | 996153 | 1 | Chassis ground cable | Do not use with transient protector |
| 15 | 21923306 | 1 | Wiring harness kit | Transient protector, alternative to chassis ground cable |